

SANIT 300-1.000

10 years
Guarantee on tank

cylinders 

DHW cylinders

Stainless steel tank
Coil heat exchanger



Model	Total capacity L	Flow rate L/h $\Delta 30^{\circ}\text{C}$			Peak flow L/10 min $\Delta 30^{\circ}\text{C}$			Flow up to 1 hour L/h $\Delta 30^{\circ}\text{C}$		
		Qp 1 m ³ /h	Qp 3 m ³ /h	Qp 5 m ³ /h	Qp 1 m ³ /h	Qp 3 m ³ /h	Qp 5 m ³ /h	Qp 1 m ³ /h	Qp 3 m ³ /h	Qp 5 m ³ /h
Sanit 300	300	1,007	1,117	1,168	680	686	695	1,577	1,617	1,668
Sanit 500	500	1,370	1,537	1,582	1,061	1,089	1,097	2,203	2,370	2,415
Sanit 750	745	2,213	2,481	2,555	1,619	1,664	1,679	3,463	3,731	3,805
Sanit 1000	1.000	2,582	2,896	2,981	2,096	2,149	2,163	4,248	4,562	4,647
Sanit 1000 SBH	1.000	2,582	2,896	2,981	2,096	2,149	2,163	4,248	4,562	4,647

Options

Cathodic protection V Sanit 300

Cathodic protection X Sanit (500, 750, 1000)

Electric heating element 1.5 kW

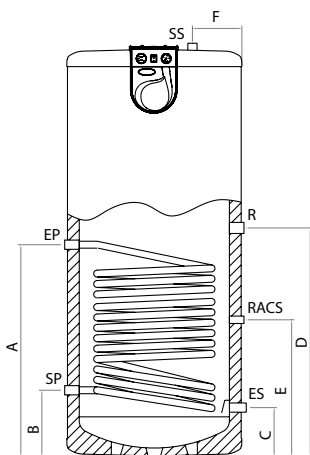
Electric heating element 2.5 kW

Electric heating element 3.5 kW

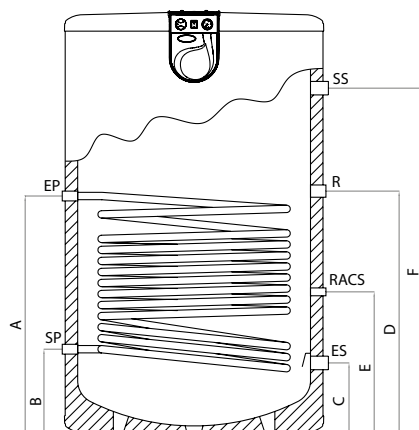
DHW expansion vessel 18 L (Sanit 300/500)

Dielectric pipe unions (Sanit 300/500)

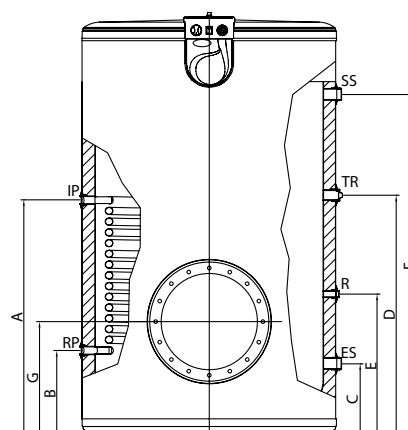
DHW relief valve (Sanit 300/500)



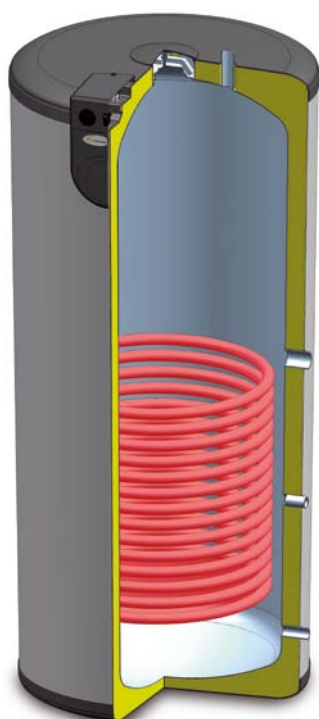
SANIT 300-500



SANIT 750



SANIT 1000



Model		SANIT 300	SANIT 500	SANIT 750	SANIT 1000
A	mm	870	915	1,024	973
B	mm	265	285	324	348
C	mm	190	210	255	293
D	mm	310	987	1,109	993
E	mm	615	590	1,204	582
F	mm	85	160	1,640	1,413
G	mm	-	-	660	-
Base measurement	Ømm	608	758	858	1,058
Height measurement	mm	1,718	1,758	1,938	1,726
Return	RACSØ	3/4"H	3/4"H	3/4"H	3/4"H
Cold water inlet	ESØ	1"M	1"M	1 1/2"M	1 1/2"M
Hot water outlet	SSØ	1"M	1"M	1 1/2"M	1 1/2"M
Primary inlet/outlet	EP/SPØ	3/4"H	1"H	1"H	1"H
Immersion socket	RØ	1 1/4"H	1 1/4"H	1 1/4"H	1 1/4"H

This range of cylinders uses a long coil heat exchanger to heat domestic hot water, obtaining maximum heat exchange to improve efficiency and reduce recovery time for DHW production.

For this high storage capacity range, a coil heat exchanger on the underside of the hot water tank is the best way to prevent bacteria from forming. This helps keep the whole hot water tank at a uniform temperature, preventing cooler areas where legionella bacteria and other micro-organisms can grow.

Model	SANIT 100	SANIT 150	SANIT 200	SANIT 250
Evolution FC	•			
Evolution AC	•	•		
Sirena CAL	•	•	•	
Sirena Cal FD	•	•	•	•
Jaka FD	•	•	•	•

Equipment	300	500	750	1000	1000 SBH	Options	300	500	750	1000	1000 SBH
Thermometer	•	•	•	•	•	Electric heating element	•	•	•	•	•
Regulable thermostat	•	•	•	•	•	DHW expansion vessel 18 L	•	•			
On / off switch	•	•	•	•	•	Dielectric pipe unions	•	•			
Manhole				•		DHW relief valve	•	•			
						Cathodic protection V	•	•	•	•	•